

P-104 Pulldown

Specifications:

Dimensions:

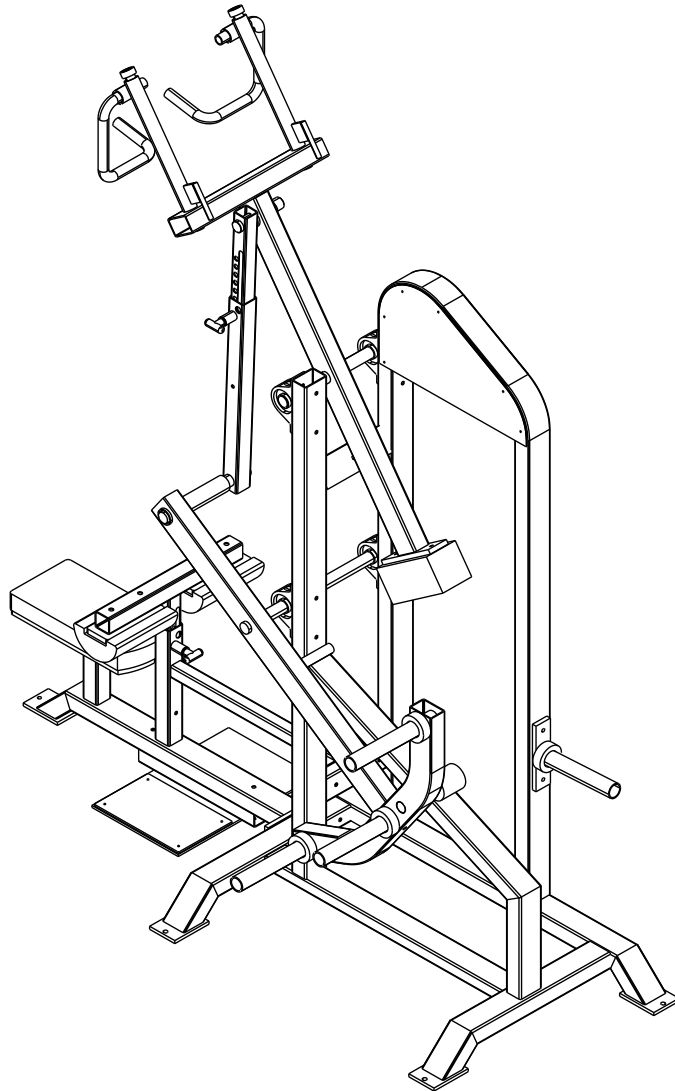
US 32" W X 81" L X 87" H

Metric 81 cm W X 206 cm L X 221 cm H

Total Weight:

US 370 lbs.

Metric 168 kg



Features:

- Lever type design for proper Bio-Mechanics and safety.
- Swing-type handles allow user defined path of motion during the exercise.
- Starting range adjusts to 8 positions for various size trainees.
- Leg hold down adjusts to 8 positions for various size trainees.
- Polyethylene lined plate stem is located on the side of the frame for convenient plate storage.
- Solid linkage system converts input arm rotation to torque arm movement to give a smooth and reliable drive system.
- Polyethylene lined plate stems on Torque Arm protect painted surfaces, provide cosmetic appeal and increase durability.
- Smart Strength Technology alters the resistance curve to the beginning, middle or the end of the range of motion, to stimulate different muscle fibers.