

P-122 Extreme Row

Specifications:

Dimensions:

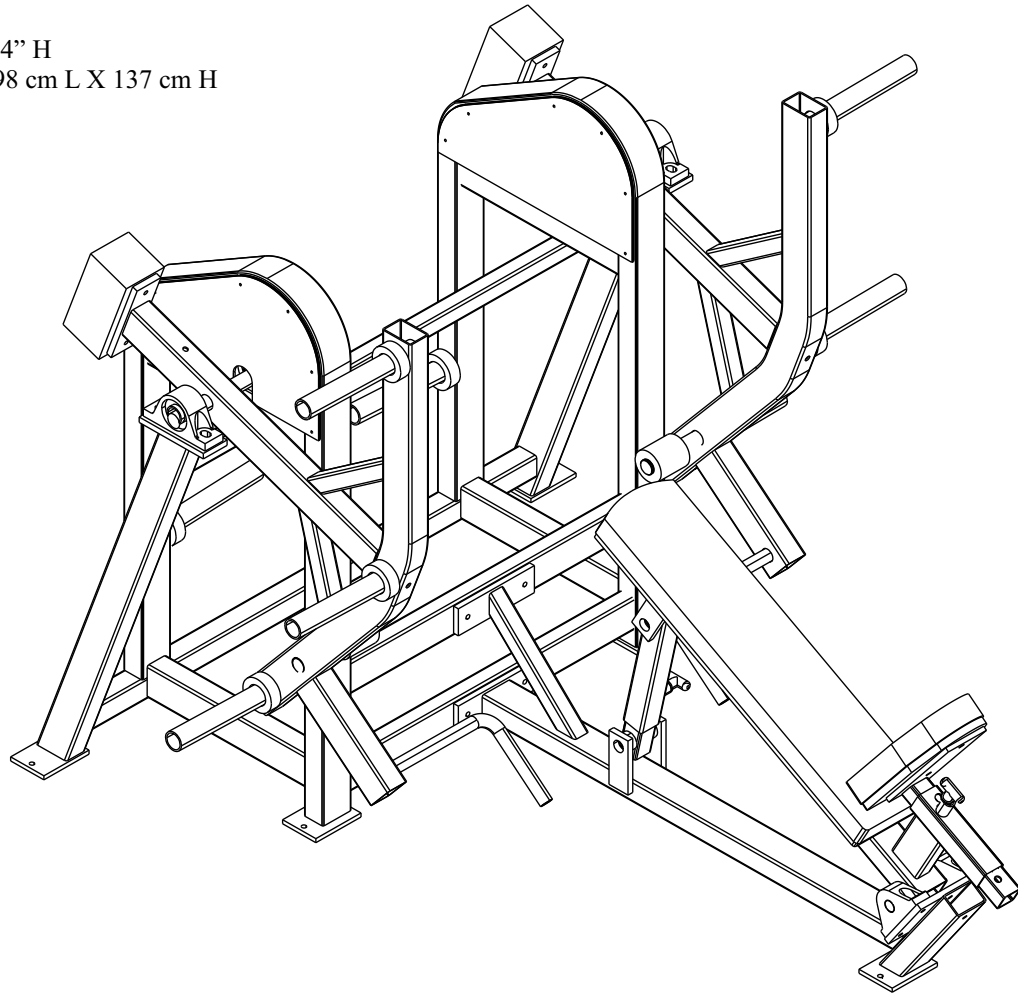
US 64" W X 78" L X 54" H

Metric 163 cm W X 198 cm L X 137 cm H

Total Weight:

US 460 lbs.

Metric 209 kg



Features:

- Handle design allows for wide, narrow or neutral grip positions.
- Chest pad tapered for superior comfort and adjusts to 8 positions for desired pre-stretch.
- 1 3/8" handgrips for optimal comfort.
- Two (one each side) polyethylene lined plate stems are located on side of frame for convenient plate storage.
- Polyethylene lined plate stem is located on the side of the frame for convenient plate storage.
- Polyethylene lined plate stems on Torque Arms protect painted surfaces, provide cosmetic appeal and increase durability.
- Smart Strength Technology alters the resistance curve to the beginning, middle or the end of the range of motion, to stimulate different muscle fibers.