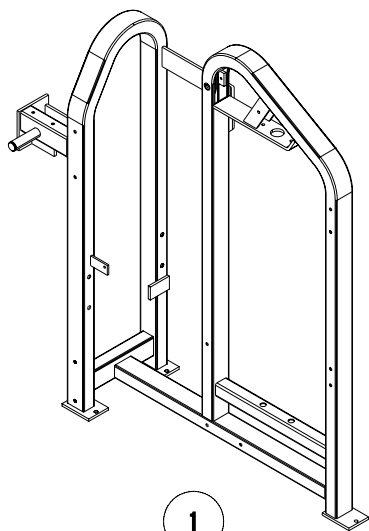
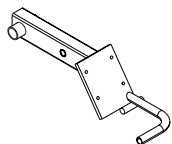


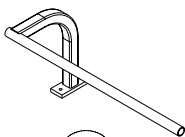
S-114 SELECTORIZED MULTI - HIP



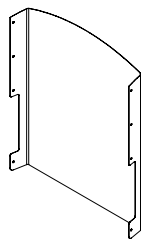
1



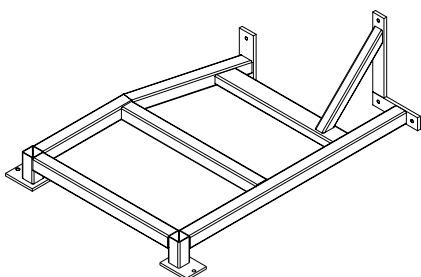
2



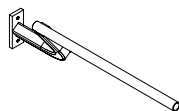
3



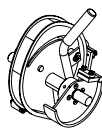
4



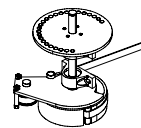
5



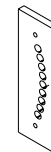
6



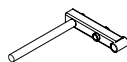
9



12



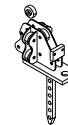
15



7



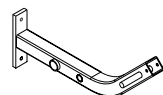
10



13



16



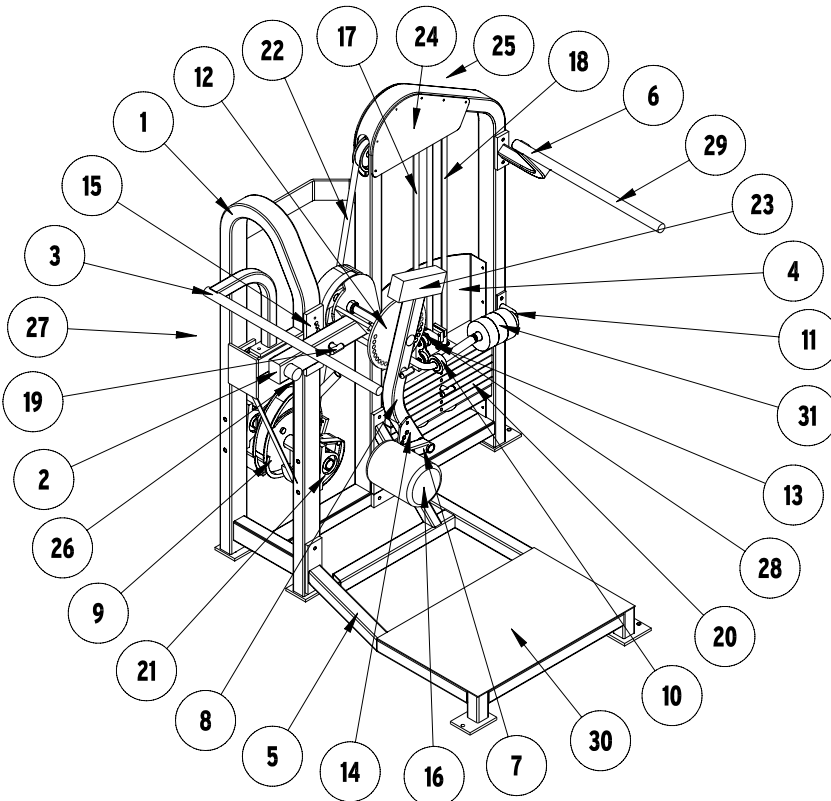
8



11



14



| ITEM | PART DESCRIPTION | QT | ITEM | PART DESCRIPTION | QT | ITEM | PART DESCRIPTION | QT |
|------|-------------------------------|----|------|------------------------------|----|------|--------------------------------|----|
| 1 | WELD,FRM,WEIGHT S-114 | 1 | 13 | ASSY,TOP PLATE,7 STEM | 1 | 25 | DECAL,LOGO,STRIVE,RIGHT | 1 |
| 2 | WELD,ADJ,HEIGHT S-114 | 1 | 14 | PLATE,RANGE,PAD ADJ S-114 | 1 | 26 | GAS SHOCK,10.35Cx18.62 130lbs | 1 |
| 3 | WELD,HANDLE,EXERCISE(L) S-114 | 1 | 15 | CHRM,BAR,RANGE PLATE S-114 | 1 | 27 | PULLEY,BELT,0.38 IDx4.5 OD BLK | 3 |
| 4 | BENT,SHT,WEIGHT SHIELD | 1 | 16 | UPH,PAD,ROLLER 5 ODX8 | 1 | 28 | RUB,GRIP,1.05 IDx4.25 YELLOW | 1 |
| 5 | WELD,FRM,EXERCISE,S-114 | 1 | 17 | *CP075 ,TAPPED , 44.00* | 1 | 29 | RUB,GRIP,1.25 IDx29 BLK | 2 |
| 6 | WELD,HANDLE,EXERCISE(R) S-114 | 1 | 18 | *CP075 ,GROOVED , 44.00* | 1 | 30 | SHT,ALUM,TREADPLATE,18x28 | 1 |
| 7 | WELD,ADJ,PAD MOUNT S-114 | 1 | 19 | ASSY,POPPER PIN,0.5X2.13 | 3 | 31 | WGHT,5#ADDON,4.75 ODX1.75BLK | 3 |
| 8 | WELD,ARM,EXERCISE S-114 | 1 | 20 | ASSY,WGHT,20# STANDARD, 4x19 | 7 | | | |
| 9 | ASSY,CAM,SMART,S-114 | 1 | 21 | BEAR,PILLOW,1.25 ID | 2 | | | |
| 10 | ASSY,ADD-ON HOLDER,TPU | 1 | 22 | BELT,FLAT,0.094x1x108" | 1 | | | |
| 11 | ASSY,ADD-ON HOLDER,WFU | 1 | 23 | CWEIGHT,TAP/VINYL DIP,18 BLK | 1 | | | |
| 12 | ASSY,CAM,DRIVE,S-114 | 1 | 24 | DECAL,INSTRUCTIONAL,S-114 WH | 1 | | | |