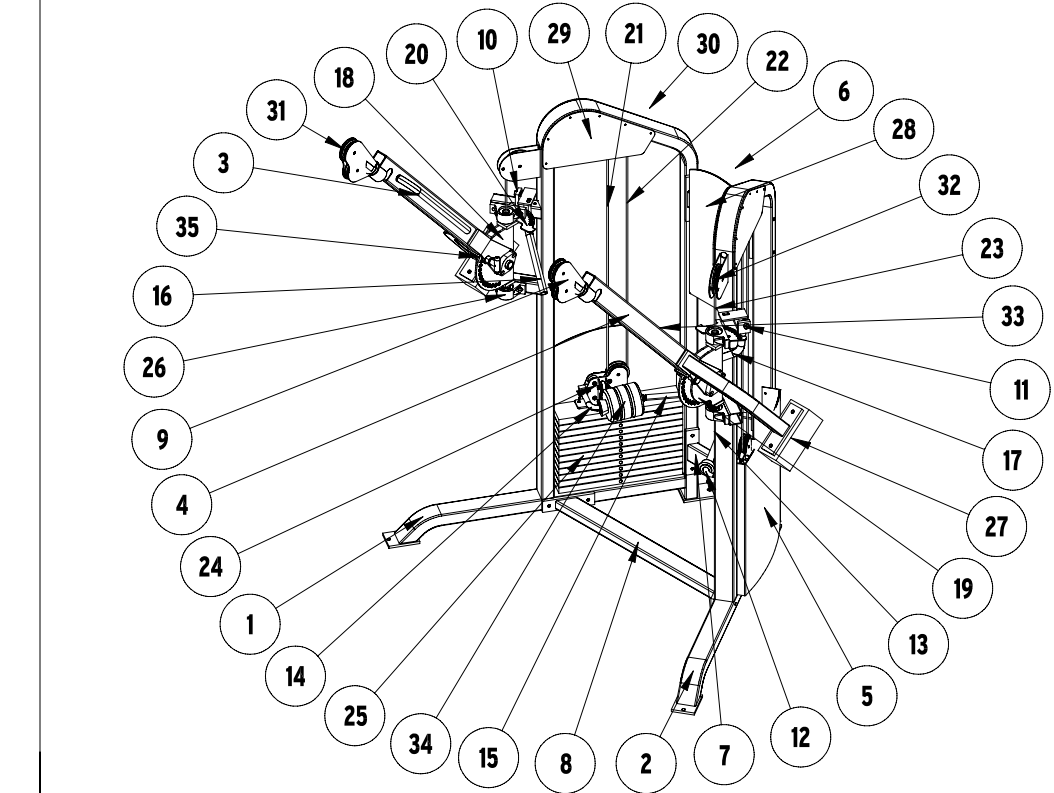
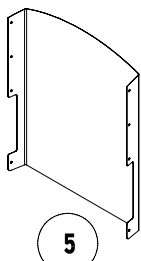
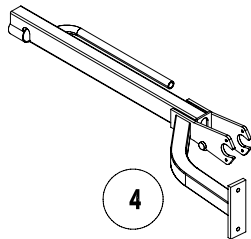
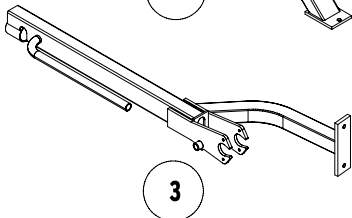
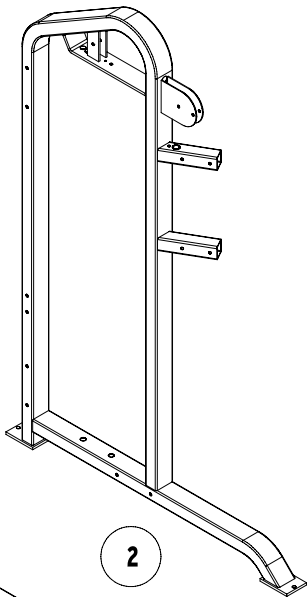
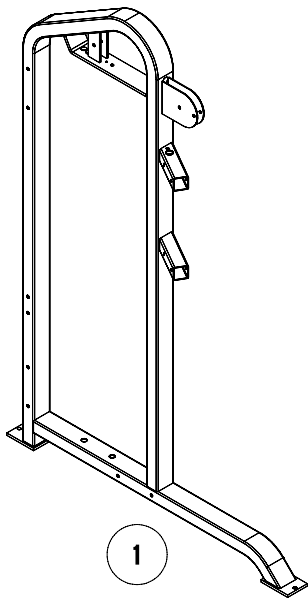
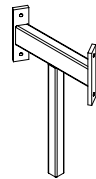


NS-123 SELECTORIZED FUNCTIONAL TRAINER



ITEM	PART DESCRIPTION	QT	ITEM	PART DESCRIPTION	QT	ITEM	PART DESCRIPTION	QT
1	WELD,FRM,WEIGHT S-123 L	1	13	ASSY,ADD-ON HOLDER,WFD	1	25	ASSY,WGHT,20# STANDARD, 4x19	24
2	WELD,FRM,WEIGHT S-123 R	1	14	ASSY,ADD-ON HOLDER,TPU	1	26	BEAR,PILLOW,NYLON,1 ID BLK	4
3	WELD,ARM,EXERCISE S-123 L	1	15	ASSY,ADD-ON HOLDER,WFU	1	27	CWEIGHT,TAP/VINYL DIP,38# BLK	2
4	WELD,ARM,EXERCISE S-123 R	1	16	ASSY,HANDLE,S-123 HORZ L	1	28	DECAL,INSTRUCTIONAL,S-123	1
5	BENT,SHT,WEIGHT SHIELD	2	17	ASSY,HANDLE,S-123 HORZ R	1	29	DECAL,LOGO,STRIVE,LEFT	2
6	WELD,CROSS BRACE 13.00 W/MNT	1	18	ASSY,PIVIT ARM,S-123 L	1	30	DECAL,LOGO,STRIVE,RIGHT	2
7	WELD,CROSS BRACE 13.00 W/30D	1	19	ASSY,PIVIT ARM,S-123 R	1	31	PULLEY,CABLE,0.38 IDx3.5 OD	6
8	WELD,CROSS BRACE 33.25 W/30D	1	20	PLATE,ADJ,S-123	2	32	PULLEY,CABLE,0.38 IDx4.5 OD	2
9	WELD,SWIVEL PULLEY S-123	2	21	*CP075 ,TAPPED , 61.25*	2	33	RUB,GRIP,1.05 IDx16 BLK	2
10	WELD,ADJ,MOUNT S-123 L	1	22	*CP075 ,GROOVED , 61.25*	2	34	WGHT,5#ADDON,4.75 ODx1.75BLK	6
11	WELD,ADJ,MOUNT S-123 R	1	23	ASSY,CABLE,W/LOOP,1/8WDx172	2	35	ASSY,POPPER PIN,0.5x1.5	2
12	ASSY,ADD-ON HOLDER,TPD	1	24	ASSY,TOP PLATE,12 W/PULLEY	2			



6



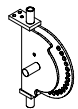
9



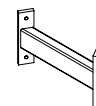
12



15



18



7



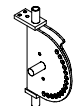
10



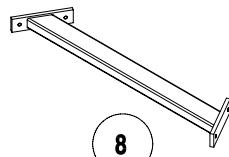
13



16



19



8



11



14



17



20