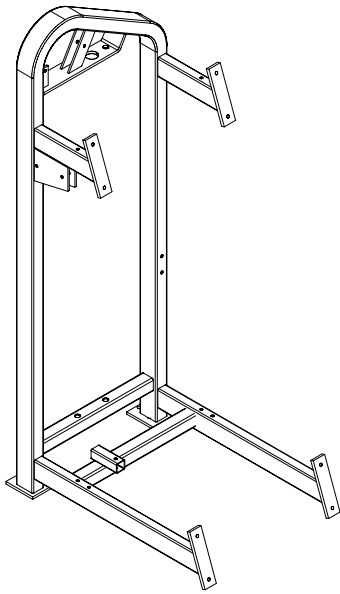
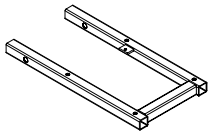
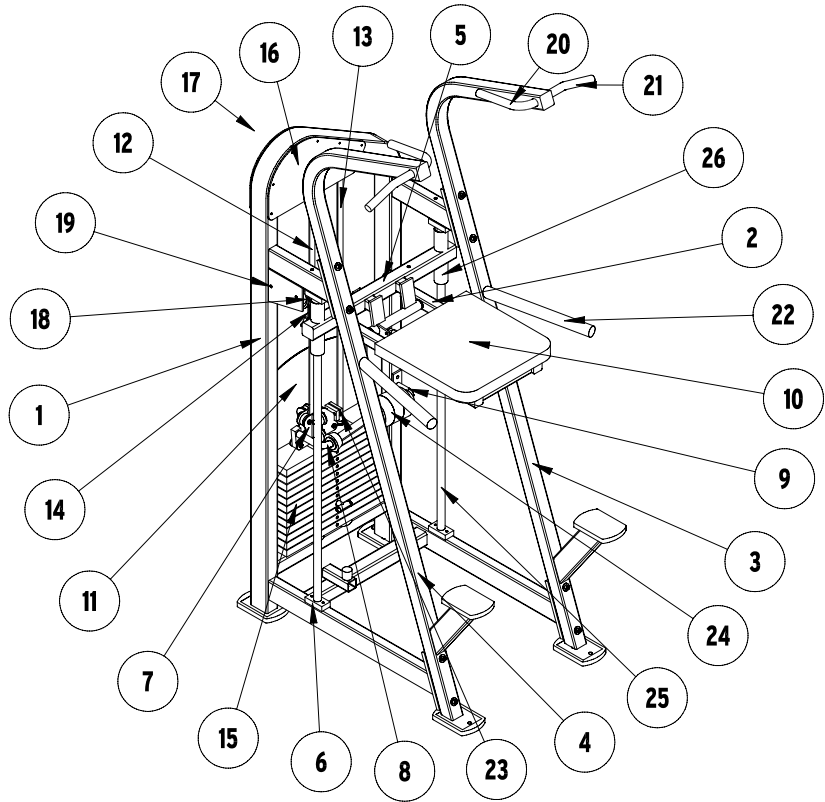


# NS-130 SELECTORIZED CHIN/DIP ASSIST

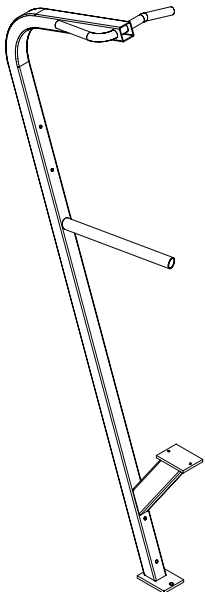


1

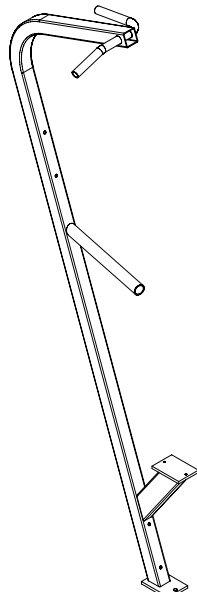


2

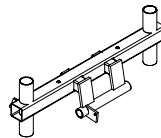
ITEM	PART DESCRIPTION	QT	ITEM	PART DESCRIPTION	QT	ITEM	PART DESCRIPTION	QT
1	WELD,FRM,WEIGHT NS-130	1	13	*CP075 ,TAPPED ,55.50*	1	25	SHAFT,HARD 1.0 ODx48.0L	2
2	WELD,CARRIAGE,UPH MOUNT	1	14	ASSY,CABLE,W/STUDS.1/8 WDx 8	1	26	BEAR,LINEAR,SUPER 16	4
3	WELD,FRM,EXERCISE NS-130 R	1	15	ASSY,WGHT,20# STANDARD, 4x19	12			
4	WELD,FRM,EXERCISE NS-130 L	1	16	DECAL,INSTRUCTIONAL,NS-130	1			
5	WELD,CARRIAGE,LINEAR NS-130	1	17	DECAL,LOGO,STRIVE,RIGHT	1			
6	*HFB75-3 ,POWDER BKT, 1.50*	4	18	PULLEY,CABLE,0.38 IDx3.5 OD	1			
7	ASSY,TOP PLATE,12 STEM	1	19	PULLEY,CABLE,0.38 IDx4.5 OD	3			
8	ASSY,ADD-ON HOLDER,TPU	1	20	RUB,GRIP,1.05 IDx6 BLK	2			
9	ASSY,ADD-ON HOLDER,WFU	1	21	RUB,GRIP,1.05 IDx9.5 BLK	2			
10	UPH,PAD,KNEE RST,16.25 x 16.25	1	22	RUB,GRIP,1.50 IDx17.00	2			
11	BENT,SHT,WEIGHT SHIELD	1	23	WELD,CABLE MOUNT TOP PLATE	1			
12	*CP075 ,GROOVED ,55.50*	1	24	WGHT,5# ADDON,4.750Dx1.75BLK	3			



3



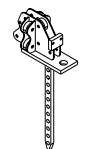
4



5



6



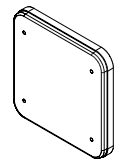
7



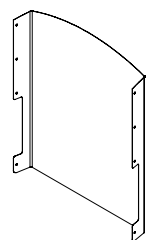
8



9



10



11