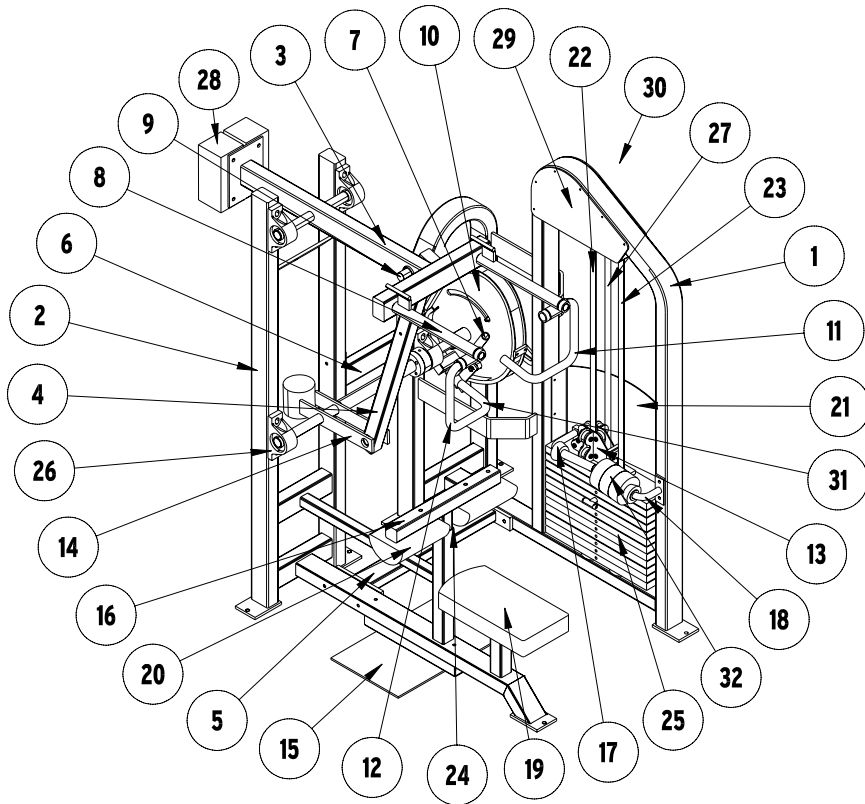
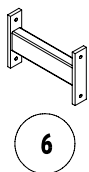
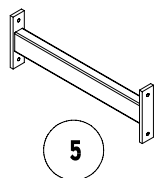
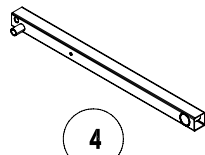
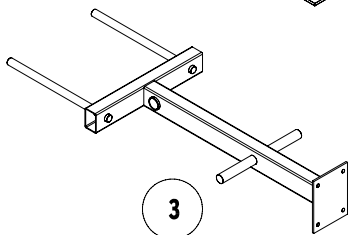
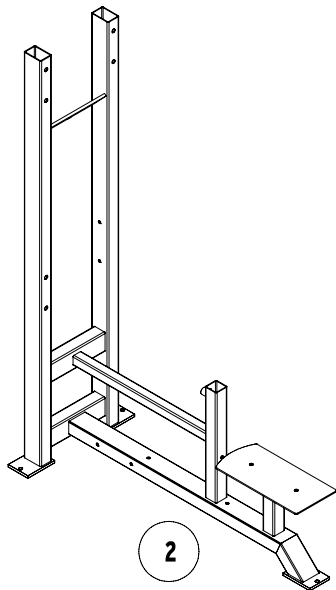
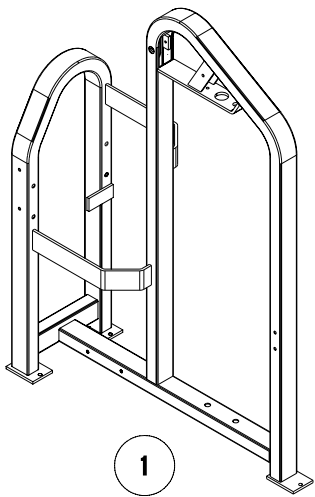


# S-104 SELECTORIZED PULLDOWN



ITEM	PART DESCRIPTION	QT	ITEM	PART DESCRIPTION	QT	ITEM	PART DESCRIPTION	QT
1	WELD,FRM,WEIGHT S-104	1	12	WELD,HANDLE(L) P/S-104/21	1	23	*CP075 ,GROOVED ,49.50*	1
2	WELD,FRM,EXERCISE S-104	1	13	ASSY, TOP PLATE,12 STEM	1	24	ASSY,POPPER PIN,0.5x1.5	2
3	WELD,ARM,EXERCISE S-104	1	14	WELD,LINK,CAM S-104	1	25	ASSY,WGHT,20# STANDARD,4x19	12
4	WELD,TELE,HANDLE S-104	1	15	ASSY,FOOT PLATE P/S-104	1	26	BEAR,PILLOW,1.25 ID	4
5	WELD,CROSS BRACE 23.5	1	16	WELD,ADJ,THIGH PAD P/S-104	1	27	BELT,FLAT,0.094x1x108"	1
6	WELD,CROSS BRACE 12	1	17	ASSY,ADD-ON HOLDER,TPU	1	28	CWEIGHT,TAP/VINYL DIP,38# BLK	2
7	ASSY,HANDLE,CAM,UP	1	18	ASSY,ADD-ON HOLDER,WFU	1	29	DECAL,INSTRUCTIONAL,S-104 WH	1
8	ASSY,UNIVERSAL P/S-104	1	19	UPH,PAD,SEAT/BACK 8.25X16.25	1	30	DECAL,LOGO,STRIVE,RIGHT	1
9	WELD,ADJ,HANDLE P/S-104	1	20	UPH,PAD,HALF MOON 6X8.5	2	31	RUB,GRIP,1.05 IDx16 BLK	2
10	ASSY,CAM,BELT,LRG,STD	1	21	BENT,SHT,WEIGHT SHIELD STD	1	32	WGHT,5# ADON,4.75 ODx1.75 BLK	3
11	WELD,HANDLE(R) P/S-104/21	1	22	*CP075 ,TAPPED ,49.50*	1			

